

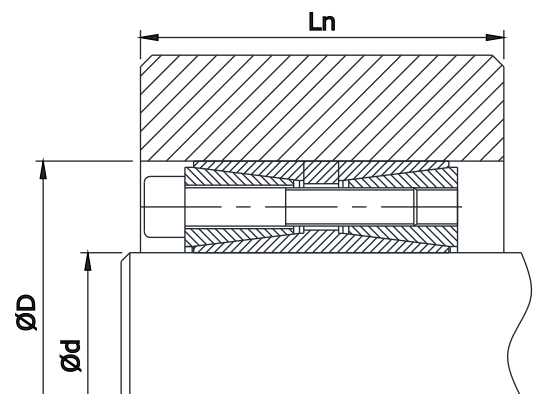
Locking Assembly - Model N7015.0 & N7015.1



◆ Features :

- Five part Locking Assembly
- Torque Transmission Capacity: High
- Bending Moment Capacity: Very High (for N7015.0)
(Refer NMTG Conveyor Pulley Catalogue)
- Double Taper Design
- Self-Centering
- No displacement of Hub
- Hub length must be $L_n \geq L_1 + (L_1 - L)$

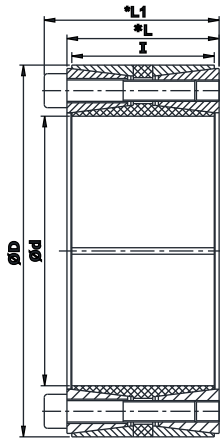
◆ Mounting Example:



◆ Tolerance & Surface finish:

- A good Surface finish by Machine tool is sufficient. Maximum allowable Surface finish $R_a \leq 3.2\mu\text{m}$
- Maximum Permissible Tolerance for Shaft is h8 & for Hub bore is H8.

Locking Assembly Bending Load Model N 7015.1



- d =Inner diameter
- D =Outer diameter
- L1 =Overall width screws
- L =Overall width without screws
- I =Clamping length
- S =Clamping thread
- Ma =Reduced tightening torque of the screws under bending load
- Mt without Mb =Transmissible torque at given Ma without bending moment
- P' =Surface pressure on shaft
- P =Surface pressure on hub
- Mb max. =Max. bending moment
- Pax.at Mb max. =Max. Axial Thrust at max. bending moment
- W =Weight

d x D mm	l mm	L mm	L1 mm	Tightening screws		Transmitting Torque Nm (Mt)	Axial Thrust KN (Pax at Mbmax)	Mbmax. Nm	Surface pressure with Mbmax on		Surface pressure w/o Mbmax on		Weight Kg (W)	Minimum Hub Width for C = 0.8 (in mm)	Minimum Hub Diameter (in mm) at different Yield Strength		
				DIN 912 12.9 No. x size(s) x Lb	Tightening Torque Nm (Ma)				Shaft N/mm ² P'	Hub N/mm ² P	Shaft N/mm ² P'	Hub N/mm ² P			250 N/mm ²	350 N/mm ²	450 N/mm ²
100 x 145	60	65	75	9 x M10 x 55	83	6444	14	6409	125	86	89	62	4.1	90	192	177	169
110 x 155	60	65	75	10 x M10 x 55	83	7876	26	7742	130	92	90	64	4.4	90	210	192	183
120 x 165	60	65	75	12 x M10 x 55	83	10311	19	10251	147	107	99	73	4.8	90	236	212	200
130 x 180	68	74	84	15 x M10 x 60	83	13962	23	13887	145	105	99	72	6.5	102	255	230	217
140 x 190	68	74	84	15 x M10 x 60	83	15036	23	14955	138	101	92	68	7	102	266	240	228
150 x 200	68	74	84	16 x M10 x 60	83	17183	24	17091	140	105	92	69	7.4	102	284	255	242
160 x 210	68	74	84	18 x M10 x 60	83	20620	26	20511	151	115	97	74	7.8	102	309	275	258
170 x 225	75	81	93	15 x M12 x 65	145	26805	32	26666	159	120	103	78	10	113	337	298	279
180 x 235	75	81	93	16 x M12 x 65	145	30274	34	30115	164	125	104	79	10.6	113	359	315	295
190 x 250	88	94	106	18 x M12 x 75	145	35950	38	35770	144	109	94	72	14.3	132	360	322	304
200 x 260	88	94	106	20 x M12 x 75	145	42048	42	41836	154	119	99	76	15	132	388	344	322
220 x 285	98	104	116	21 x M12 x 80	145	48565	45	48314	135	104	87	68	19.8	147	403	363	344
240 x 305	98	104	116	24 x M12 x 80	145	60548	51	60241	145	114	91	72	21.4	147	447	398	375
260 x 325	98	104	116	27 x M12 x 80	145	73794	57	73422	155	124	95	75	23	147	495	435	407
280 x 355	120	126	140	28 x M14 x 100	230	112158	81	111589	164	129	103	82	35.2	180	551	481	448
300 x 375	120	126	140	28 x M14 x 100	230	120169	80	119564	157	125	97	78	37.4	180	573	503	470
320 x 405	135	142	158	28 x M16 x 110	355	175463	110	174574	171	135	107	85	51.3	203	643	557	517
340 x 425	135	142	158	28 x M16 x 110	355	186429	110	185494	164	131	100	81	54.1	203	664	579	539
360 x 455	158	165	183	24 x M18 x 140	485	204381	114	203356	130	103	82	65	75.4	237	641	578	548
380 x 475	158	165	183	27 x M18 x 140	485	242704	128	241478	141	113	88	70	79	237	694	619	582
400 x 495	158	165	183	32 x M18 x 140	485	302788	152	301265	162	131	98	80	82.8	237	774	674	628
420 x 515	158	165	183	32 x M18 x 140	485	317927	151	316329	157	128	94	76	86.5	237	796	696	649
440 x 545	172	180	200	27 x M20 x 140	690	363456	166	361628	147	119	89	72	110	258	799	707	663
460 x 565	172	180	200	27 x M20 x 140	690	379976	166	378066	143	117	85	69	114	258	823	730	685
480 x 585	172	180	200	30 x M20 x 140	690	440552	187	438263	155	127	91	74	119	258	885	775	724