

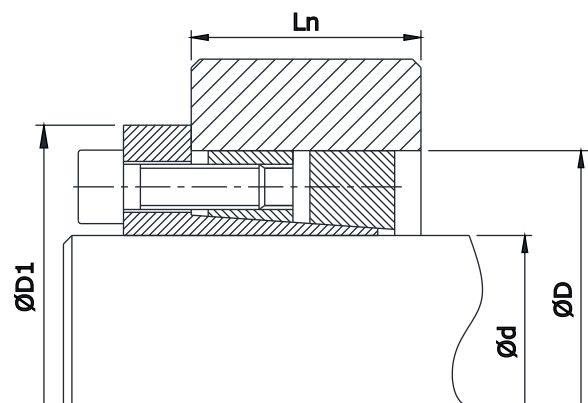
## Locking Assembly - Model N7036



### ◆ Features :

- Three part Locking Assembly
- Torque Transmission Capacity: High
- Single Taper Design
- Self-Centering
- Self-Locking
- No displacement of Hub

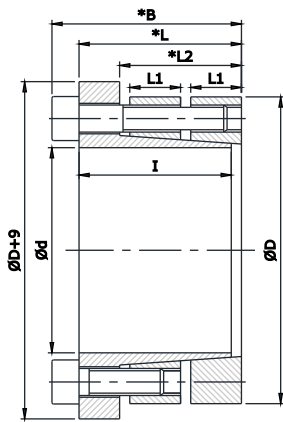
### ◆ Mounting Example:



### ◆ Tolerance & Surface finish:

- A good Surface finish by Machine tool is sufficient. Maximum allowable Surface finish  $R_a \leq 3.2\mu\text{m}$
- Maximum Permissible Tolerance for Shaft is h8 & for Hub bore is H8.

## Locking Assembly Bending Load Model N7036

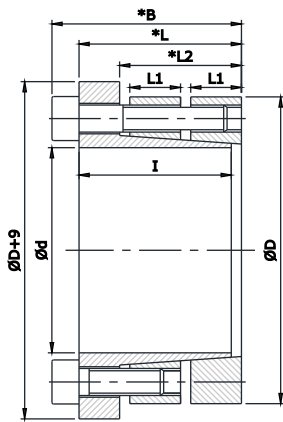


- d =Inner diameter
- D =Outer diameter
- L1 =Overall width with screws
- L =Overall width without screws
- I =Clamping length
- S =Clamping thread
- Ma =Tightening torque of the screws
- Mt =Transmissible torque at given Ma
- P' =Surface pressure on shaft at given Ma
- P =Surface pressure on hub at given Ma
- Pax =Axial Thrust
- W =Weight

d x D mm	I mm	L1 mm	L2 mm	L mm	B mm	Tightening Screws		Tightening Screws		Weight kg
						DIN912 12.9 No. x size(s)	Tightening Torque Nm (Ma)	DIN912 12.9 No. x size(s)	Tightening Torque Nm (Ma)	
30 x 60	45	15	36	48	56	4 x M8	41	4 x M6	17	0.77
35 x 65	45	15	36	48	56	4 x M8	41	5 x M6	17	0.85
40 x 70	45	15	36	48	56	5 x M8	41	5 x M6	17	0.95
45 x 80	54	18	42	57	67	4 x M10	83	5 x M8	41	1.49
50 x 85	54	18	42	57	67	5 x M10	83	5 x M8	41	1.63
55 x 90	54	18	42	57	67	5 x M10	83	5 x M8	41	1.75
60 x 95	54	18	42	57	67	6 x M10	83	6 x M8	41	1.87
65 x 100	54	18	42	57	67	6 x M10	83	6 x M8	41	1.97
70 x 115	70	24	56	74	88	6 x M12	145	6 x M10	83	3.62
80 x 125	70	24	56	74	88	7 x M12	145	7 x M10	83	4.02
90 x 135	70	24	56	74	88	7 x M12	145	7 x M10	83	4.44
100 x 150	78	26	61	82	96	7 x M14	230	7 x M12	145	6.02
110 x 160	78	26	61	82	96	7 x M14	230	7 x M12	145	6.46
120 x 170	78	26	61	82	96	7 x M14	230	7 x M12	145	6.88
130 x 190	90	30	71	95	111	8 x M16	355	8 x M14	230	10.56
140 x 200	90	30	71	95	111	8 x M16	355	8 x M14	230	11.22
150 x 210	90	30	71	95	111	8 x M16	355	8 x M14	230	11.92
160 x 220	90	30	71	95	111	8 x M16	355	8 x M14	230	12.46
170 x 240	114	40	92	122	142	8 x M20	690	8 x M16	355	20.58
180 x 250	114	40	92	122	142	8 x M20	690	8 x M16	355	21.52
190 x 260	114	40	92	122	142	8 x M20	690	8 x M16	355	22.58
200 x 270	114	40	92	122	142	10 x M20	690	10 x M16	355	23.38
220 x 290	114	40	92	122	142	10 x M20	690	10 x M16	355	25.64
240 x 310	114	40	92	122	142	12 x M20	690	12 x M16	355	27.90
260 x 330	114	40	92	122	142	12 x M20	690	12 x M16	355	29.85
280 x 365	135	45	108	144	168	10 x M24	1200	10 x M20	690	45.80
300 x 385	135	45	108	144	168	10 x M24	1200	10 x M20	690	48.40
320 x 405	135	45	108	144	168	12 x M24	1200	12 x M20	690	51.40
340 x 425	135	45	108	144	168	14 x M24	1200	14 x M20	690	54.25
360 x 445	135	45	108	144	168	14 x M24	1200	14 x M20	690	57.25
380 x 465	135	45	108	144	168	16 x M24	1200	16 x M20	690	59
400 x 485	135	45	108	144	168	16 x M24	1200	16 x M20	690	62.9
420 x 505	135	45	108	144	168	16 x M24	1200	16 x M20	690	65.35
440 x 525	167	59	147	178	202	16 x M24	1200	16 x M20	690	82.70
460 x 545	167	59	147	178	202	16 x M24	1200	16 x M20	690	85.70
480 x 565	167	59	147	178	202	16 x M24	1200	16 x M20	690	91
500 x 585	167	59	147	178	202	18 x M24	1200	18 x M20	690	94

Dimensions/Design subject to modifications without any prior intimation.

# Locking Assembly Bending Load Model N7036



- d =Inner diameter
- D =Outer diameter
- L1 =Overall width with screws
- L =Overall width without screws
- I =Clamping length
- S =Clamping thread
- Ma =Tightening torque of the screws
- Mt =Transmissible torque at given Ma
- P' =Surface pressure on shaft at given Ma
- P =Surface pressure on hub at given Ma
- Pax =Axial Thrust
- W =Weight

d x D mm	Mt1 Nm	Axial Thrust Pax1 kN	Mt2 Nm	Axial Thrust Pax2 kN	Mt Nm	Axial Thrust Pax kN	Mb Nm	Surface Pressure on		Surface Pressure on	
								Shaft N/mm2 P'	Hub N/mm2 P	Shaft N/mm2 P'	Hub N/mm2 P
30 x 60	614	41	335	22	949	63	619	242	121	133	67
35 x 65	716	41	492	27	1208	68	766	207	112	142	77
40 x 70	1015	51	563	27	1578	78	1025	226	129	125	71
45 x 80	1499	66	1153	51	2652	117	1724	218	123	168	95
50 x 85	2081	83	1285	51	3366	134	2183	246	145	152	89
55 x 90	2295	83	1408	51	3703	134	2407	223	137	138	85
60 x 95	2999	100	1846	61	4845	161	3152	246	155	152	96
65 x 100	3254	100	1999	61	5253	161	3417	227	148	140	91
70 x 115	5207	149	3516	100	8723	249	5668	235	144	159	96
80 x 125	6950	173	4695	117	11644	290	7565	240	154	162	104
90 x 135	7811	173	5279	117	13089	290	8508	213	142	145	96
100 x 150	11845	238	8724	174	20569	412	13390	243	162	178	118
110 x 160	13081	238	9600	174	22681	412	14729	221	152	162	111
120 x 170	14214	238	10403	174	24617	412	16068	203	143	148	105
130 x 190	24102	372	17613	272	41715	644	27192	253	173	185	127
140 x 200	25956	372	19055	272	45011	644	29252	235	165	172	121
150 x 210	27913	372	20394	272	48307	644	31415	219	157	161	114
160 x 220	29767	372	21733	272	51500	644	33475	206	149	150	109
170 x 240	49131	578	31621	372	80752	950	52530	226	160	145	103
180 x 250	52015	578	33475	372	85490	950	55620	213	153	137	99
190 x 260	54899	578	35329	372	90228	950	58710	202	147	130	95
200 x 270	72306	723	46453	465	118759	1188	77250	240	178	155	114
220 x 290	79516	723	51088	465	130604	1188	84975	218	166	140	106
240 x 310	104133	867	66950	558	170980	1426	111240	240	185	155	119
260 x 330	112785	867	72512	558	185297	1426	120510	221	174	142	112
280 x 365	147393	1053	101249	723	248642	1776	161607	221	170	152	116
300 x 385	157899	1053	108459	723	266358	1776	173143	207	162	142	111
320 x 405	202086	1263	138844	867	340930	2130	221656	233	184	160	127
340 x 425	250496	1474	172113	1012	422712	2486	274701	254	204	175	140
360 x 445	265225	1474	182310	1012	447535	2486	290872	241	196	166	134
380 x 465	320021	1684	219905	1157	539926	2841	350921	262	213	179	146
400 x 485	336913	1684	231441	1157	568354	2841	369461	248	205	171	141
420 x 505	358852	1709	246582	1174	605434	2883	393460	240	200	165	137
440 x 525	375950	1709	258324	1174	634274	2883	412206	175	146	119	101
460 x 545	392945	1709	270066	1174	663011	2883	430952	167	141	114	97
480 x 565	410043	1709	281808	1174	691851	2883	449698	160	136	110	94
500 x 585	480598	1922	330218	1320	810816	3242	527051	173	147	118	102

Dimensions/Design subject to modifications without any prior intimation.