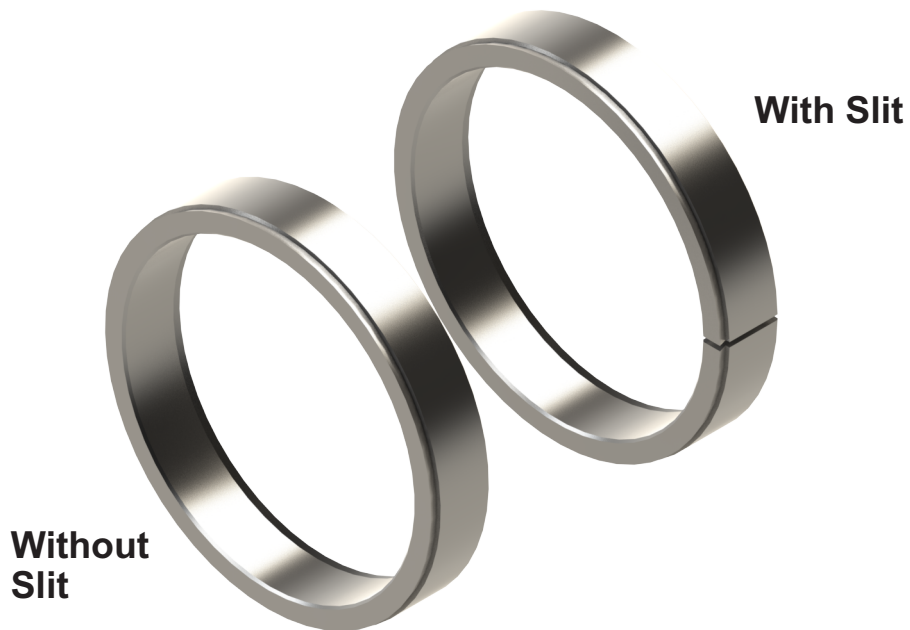


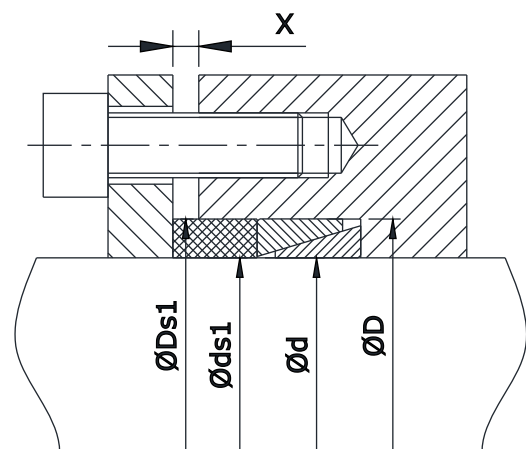
Locking Assembly - Model N8006



◆ Features :

- Two part Locking Assembly
- Torque Transmission Capacity: Low
- Single Taper Design
- Not Self-Centering
- Not Self-Locking
- Thrust Flange needed (In Customer's Scope)
- Available in Slit Version
- Easy Mounting & Removal
- Best solution for low hub OD

◆ Mounting Example:



◆ Tolerance & Surface finish:

- A good Surface finish by Machine tool is sufficient. Maximum allowable Surface finish $R_a \leq 1\mu\text{m}$
- Maximum Permissible Shaft / Hub Tolerance:
 - h6 / H7 Up to diameter 38 mm
 - h8 / H8 Above diameter 38 mm

Locking Assembly - Model N8006

◆ Transmitting Torque:

- $Mt = (Pa - Pt) \times 0.12 \times d / (0.54 \times 2000)$
 - $Pa = \text{No. of screws} \times Pv$
 - $Pt = \text{Pre. Load Force (Pls. refer next page)}$
 - Screw center distance $l = D + 12 + dg$ (screws fixed on the hub)
 - Screw center distance $l = d - 12 - dg$ (screws fixed on the shaft)
 - Flange thickness $T = dg \times 1.3$ (for screws Grade - 8.8)
 - Flange thickness $T = dg \times 1.8$ (for screws Grade - 12.9)
 - Transmissible Torque for Multiple Elements:
- | | |
|------|-------------------------|
| Nos. | Capacity |
| 1 | Catalogue Torque x 1 |
| 2 | Catalogue Torque x 1.55 |
| 3 | Catalogue Torque x 1.85 |
| 4 | Catalogue Torque x 2.02 |

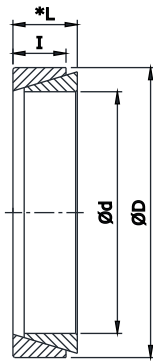
◆ Screw Details:

ÑÑ	Pv in N (DIN 912)			Ta in Nm		
	8.8	10.9	12.9	8.8	10.9	12.9
M4	3900	5450	6550	2.9	4.1	4.9
M5	6350	8950	10700	6	8.5	10
M6	9000	12600	15100	10	14	17
M7	13200	18500	22200	16	23	28
M8	16500	23200	27900	25	35	41
M9	22000	30900	37100	36	51	61
M10	26200	36900	44300	49	69	83
M12	38300	54000	64500	86	120	145
M14	52500	74000	88500	135	190	230
M16	73000	102000	123000	210	295	355
M18	88000	124000	148000	290	405	485
M20	114000	160000	192000	410	580	690
M22	141000	199000	239000	550	780	930
M24	164000	230000	276000	710	1000	1200
M27	215000	302000	363000	1050	1500	1800
M30	262000	368000	442000	1450	2000	2400

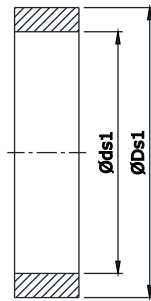
NOTE : On request Model N8006 is supplied with slit; Due this the transmission torque(take pt = 0) increase.Please contact NMTG technical department.

Dimensions/Design subject to modifications without any prior intimation.

Clamping Element Model N8006



Clamping Element



Spacer

- d = Inner diameter
- D = Outer diameter
- L = Overall width
- l = Clamping width
- At = Bearing Surface Area
- Pt = Clamping Force for clearance seize (not for Slit version)
- Pa = Total Clamping Force needed to get Shaft Pressure of 100 Mpa
- Mt = Transmissible Torque based on Shaft Pressure 100 Mpa
- Fax = Axial Thrust based on Shaft Pressure 100 Mpa
- X = Min. distance between Flange & Hub before Tightening for Locking Element(s)
- ds1 = Spacer Inside diameter
- Ds1 = Spacer Outside diameter
- W = Weight

d x D mm	l mm	L mm	At mm ²	Pt kN	Pa kN	Mt w/o Slit Nm	Mt with Slit Nm	Fax N	X				ds1 mm	Ds1 mm	W kg
									1	2	3	4			
6 x 9	3.7	4.5	70	-	3.7	-	2.5	822	2	2	3	3	6.1	8.9	0.0015
7 x 10	3.7	4.5	81	-	4.4	-	3.4	978	2	2	3	3	7.1	9.9	0.0014
8 x 11	3.7	4.5	93	-	5	-	4.4	1111	2	2	3	3	8.1	10.9	0.0015
9 x 12	3.7	4.5	105	7.6	13.3	5.7	13	1267	2	2	3	3	9.1	11.9	0.0017
10 x 13	3.7	4.5	116	6.95	13.25	7	15	1400	2	2	3	3	10.1	12.9	0.0018
11 x 14	3.7	4.5	128	7.5	14.4	8.4	18	1533	2	2	3	3	11.1	13.9	0.002
12 x 15	3.7	4.5	139	6.9	14.4	10	19	1667	2	2	3	3	12.1	14.9	0.0022
13 x 16	3.7	4.5	151	6.4	14.6	12	21	1822	2	2	3	3	13.1	15.9	0.0023
14 x 18	5.3	6.3	233	11.2	23.8	20	37	2800	3	3	4	5	14.1	17.9	0.0049
15 x 19	5.3	6.3	250	10.7	24.2	23	40	3000	3	3	4	5	15.1	18.9	0.0053
16 x 20	5.3	6.3	266	10.1	24.5	26	44	3200	3	3	4	5	16.1	19.9	0.0055
17 x 21	5.3	6.3	283	9.5	24.8	29	47	3400	3	3	4	5	17.1	20.9	0.0058
18 x 22	5.3	6.3	300	9.1	25.3	32	51	3600	3	3	4	5	18.1	21.9	0.0061
19 x 24	5.3	6.3	316	12.6	29.7	36	63	3800	3	3	4	5	19.2	23.8	0.0078
20 x 25	5.3	6.3	333	12	30	40	67	4000	3	3	4	5	20.2	24.8	0.0082
22 x 26	5.3	6.3	366	9	28.8	48	70	4400	3	3	4	5	22.2	25.8	0.0072
24 x 28	5.3	6.3	400	8.3	29.9	58	80	4800	3	3	4	5	24.2	27.8	0.0079
25 x 30	5.3	6.3	416	9.9	32.4	63	90	5000	3	3	4	5	25.2	29.8	0.01
28 x 32	5.3	6.3	466	7.4	32.6	78	101	5600	3	3	4	5	28.2	31.8	0.0009
30 x 35	5.3	6.3	500	8.5	35.5	90	118	6000	3	3	4	5	30.2	34.8	0.012
32 x 36	5.3	6.3	533	7.8	36.6	102	130	6400	3	3	4	5	32.2	35.8	0.01
35 x 40	6	7	660	10.1	45.7	138	178	7911	3	3	4	5	35.2	39.8	0.02
36 x 42	6	7	679	11.6	48.2	146	193	8133	3	3	4	5	36.2	41.8	0.02
38 x 44	6	7	716	11	49.7	163	210	8600	3	3	4	5	38.2	43.8	0.02
40 x 45	6.6	8	829	13.8	58.8	200	261	10000	3	4	5	6	40.2	44.8	0.02
42 x 48	6.6	8	871	15.6	62.6	219	292	10444	3	4	5	6	42.2	47.8	0.03
45 x 52	8.6	10	1216	26.1	92.1	330	461	14667	3	4	5	6	45.2	51.8	0.05
48 x 55	8.6	10	1297	24.6	94.6	373	505	15556	3	4	5	6	48.2	54.8	0.05
50 x 57	8.6	10	1351	23.5	96.5	406	536	16222	3	4	5	6	50.2	56.8	0.05
55 x 62	8.6	10	1486	21.8	101.8	489	622	17778	3	4	5	6	55.2	61.8	0.05
56 x 64	10.4	12	1830	29.4	128.4	616	799	22000	3	4	5	7	56.2	63.8	0.07
60 x 68	10.4	12	1960	27.4	133.4	707	889	23556	3	4	5	7	60.2	67.8	0.07
63 x 71	10.4	12	2058	26.3	137.3	777	961	24667	3	4	5	7	63.2	70.8	0.08
65 x 73	10.4	12	2124	25.4	140.4	831	1014	25556	3	4	5	7	65.2	72.8	0.08
70 x 79	12.2	14	2683	31	176	1128	1369	32222	3	5	6	7	70.3	78.7	0.11
71 x 80	12.2	14	2721	31	178	1160	1404	32667	3	5	6	7	71.3	79.7	0.11
75 x 84	12.2	14	2875	34.6	189.6	1292	1580	34444	3	5	6	7	75.3	83.7	0.12

Dimensions/Design subject to modifications without any prior intimation.

**Clamping Element
Model N8006**

d x D mm	l mm	L mm	At mm ²	Pt kN	Pa kN	T w/o Slit Nm	T with Slit Nm	Fax N	X				ds1 mm	Ds1 mm	W kg
									1	2	3	4			
80 x 91	15	17	3770	48	251	1804	2231	45111	4	5	6	8	80.3	90.7	0.12
85 x 96	15	17	4006	45.6	261.6	2040	2471	48000	4	5	6	8	85.3	95.7	0.2
90 x 101	15	17	4241	43.4	272.4	2290	2724	51889	4	5	6	8	90.3	100.7	0.2
95 x 106	15	17	4477	41.2	283.2	2554	2989	53778	4	5	6	8	95.3	105.7	0.22
100 x 114	18.7	21	5875	60.7	377.7	3522	4197	70444	4	6	7	9	100.3	113.7	0.4
110 x 124	18.7	21	6462	66	415	4266	5072	77556	4	6	7	9	110.3	123.7	0.4
120 x 134	18.7	21	7050	60.2	440.2	5067	5869	84444	4	6	7	9	120.3	133.7	0.5
130 x 148	25.3	28	10333	96.2	654.2	8060	9450	124000	5	7	9	11	130.4	147.6	0.85
140 x 158	25.3	28	11128	89	689	9333	10718	133333	5	7	9	11	140.4	157.6	0.91
150 x 168	25.3	28	11922	84.5	727.5	10717	12125	142889	5	7	9	11	150.4	167.6	0.97
160 x 178	25.3	28	12717	78.5	764.5	12196	13591	152444	5	7	9	11	160.4	177.6	1.02
170 x 191	30	33	16022	117.5	982.5	16339	18558	192222	6	8	10	12	170.4	190.5	1.5
180 x 201	30	33	16965	111.2	1027.2	18320	20544	203556	6	8	10	12	180.5	200.5	1.6
190 x 211	30	33	17907	105	1071	20393	22610	214667	6	8	10	12	190.5	210.5	1.7
200 x 224	34.8	38	21865	134	1314	26222	29200	262222	6	8	10	12	200.6	223.4	2.3
210 x 234	34.8	38	22959	127	1366	28910	31873	275333	6	8	11	13	210.6	233.4	2.5
220 x 244	34.8	38	24052	122	1420	31729	34711	288444	6	8	11	13	220.6	243.4	2.5
230 x 257	39.5	43	28541	165	1705	39356	43572	342222	6	9	12	14	230.6	256.4	3.4
240 x 267	39.5	43	29782	157.5	1767.5	42933	47133	357778	6	9	12	14	240.6	266.4	3.5
250 x 280	44	48	34558	190	2060	51944	57222	415556	7	10	13	16	250.8	279.2	4.7
260 x 290	44	48	35940	182	2132	56333	61591	433333	7	10	13	16	260.8	289.2	4.8
270 x 300	44	48	37322	177	2207	60900	66210	451111	7	10	13	16	270.8	299.2	4.9
280 x 313	49	53	43103	206	2536	72489	78898	517778	7	11	14	17	280.8	312.2	6.3
290 x 323	49	53	44642	222	2632	77656	84809	535556	7	11	14	17	290.8	322.2	6.5
300 x 333	49	53	46181	214	2704	83000	90133	553333	7	11	14	17	300.8	332.2	6.7
320 x 360	59	65	59313	292	3492	113778	124160	711111	10	15	20	25	321	359	10.9
340 x 380	59	65	63020	272	3672	128444	138720	755556	10	15	20	25	341	379	11.5
360 x 400	59	65	66727	258	3858	144000	154320	800000	10	15	20	25	361	399	12.2
380 x 420	59	65	70435	269	4069	160444	171802	844444	10	15	20	25	381	419	12.8
400 x 440	59	65	74142	256	4256	177778	189156	888889	10	15	20	25	401	439	13.5
420 x 460	59	65	77849	244	4444	196000	207387	933333	10	15	20	25	421	459	14.1
440 x 480	59	65	81556	234	4634	215111	226551	977778	10	15	20	25	441	479	14.7
460 x 500	59	65	85263	224	5224	255556	267004	1111111	10	15	20	25	501	539	16.6
480 x 520	59	65	88970	239	5239	266667	279413	1111111	10	15	20	25	501	539	16.6
500 x 540	59	65	92677	229	5229	277778	290500	1111111	10	15	20	25	501	539	16.6
520 x 570	73	80	119255	338	6788	372667	392196	1433333	12	18	24	30	521	569	26.9
540 x 590	73	80	123842	326	7026	402000	421560	1488889	12	18	24	30	541	589	27.9

Dimensions/Design subject to modifications without any prior intimation.