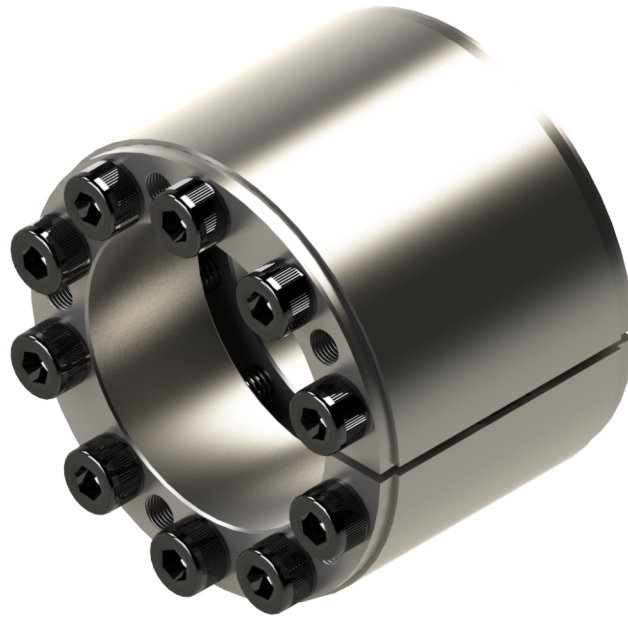


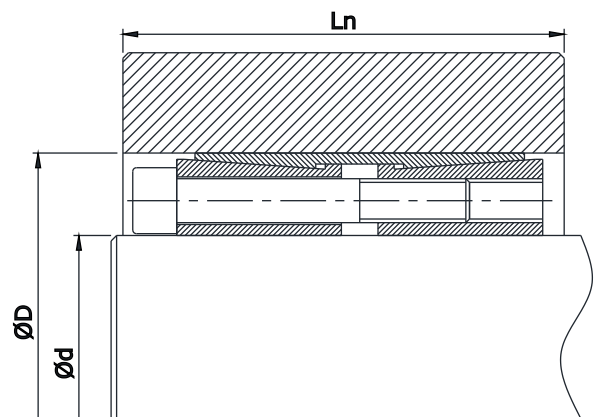
Locking Assembly - Model N7450



◆ Features :

- Three part Locking Assembly
- Torque Transmission Capacity: High
- Single Taper Design
- Self-Centering
- Self-Locking
- No displacement of Hub

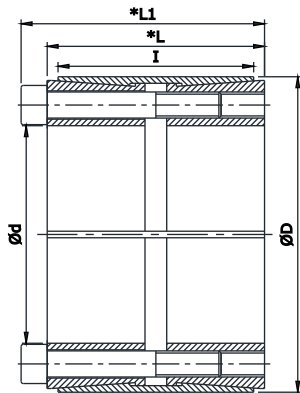
◆ Mounting Example:



◆ Tolerance & Surface finish:

- A good Surface finish by Machine tool is sufficient. Maximum allowable Surface finish $R_a \leq 3.2\mu\text{m}$
- Maximum Permissible Tolerance for Shaft is h8 & for Hub bore is H8.

Locking Assembly Model N7450



- d =Inner diameter
- D =Outer diameter
- L1 =Overall width with screws
- L =Overall width without screws
- I =Clamping length
- Ma =Tightening torque of the screws
- Mt =Transmissible torque at given Ma
- P' =Surface pressure on shaft at given Ma
- P =Surface pressure on hub at given Ma
- Pax =Axial Thrust
- W =Weight

d x D mm	I mm	L mm	L1 mm	Transmissible Torque Nm (Mt)	Axial Thrust KN (Pax)	Surface Pressure on		Tightening Screws DIN912 12.9 No. x size(s)	Tightening Torque Nm (Ma)	Weight Kg (W)
						Shaft N/mm2 P'	Hub N/mm2 P			
25 x 50	39	45	51	974	78	122	119	8 x M6	17	0.5
28 x 55	39	45	51	1097	78	111	108	8 x M6	17	0.6
30 x 55	39	45	51	1179	78	111	108	8 x M6	17	0.6
35 x 60	39	45	51	1374	78	102	99	8 x M6	17	0.7
38 x 65	39	45	51	1486	78	94	92	8 x M6	17	0.7
40 x 65	39	45	51	1568	78	94	92	8 x M6	17	0.7
42 x 75	56	64	72	3059	145	105	102	8 x M8	41	1
45 x 75	56	64	72	3245	145	105	102	8 x M8	41	0.9
48 x 80	56	64	72	4120	171	98	95	8 x M8	41	1.4
50 x 80	56	64	72	4275	171	98	95	8 x M8	41	1.3
55 x 85	56	64	72	4687	171	93	90	8 x M8	41	1.5
60 x 90	56	64	72	6386	213	109	106	10 x M8	41	1.6
65 x 95	56	64	72	6953	213	104	101	10 x M8	41	1.8
70 x 110	70	78	88	11897	340	114	111	10 x M10	83	3
75 x 115	70	78	88	12721	340	109	106	10 x M10	83	3.3
80 x 120	70	78	88	16274	408	125	121	12 x M10	83	3.5
85 x 125	70	78	88	17304	408	120	116	12 x M10	83	3.7
90 x 130	70	78	88	18334	408	115	112	12 x M10	83	3.8
95 x 135	70	78	88	19364	408	111	108	12 x M10	83	5
100 x 145	90	100	112	29664	593	117	113	12 x M12	145	6
110 x 155	90	100	112	32651	593	110	107	12 x M12	145	6.2
120 x 165	90	100	112	41509	693	120	116	14 x M12	145	7.2
130 x 180	104	116	130	52942	815	112	109	12 x M14	230	10
140 x 190	104	116	130	66538	951	124	120	14 x M14	230	10.2
150 x 200	104	116	130	81473	1087	135	131	16 x M14	230	10.8
160 x 210	104	116	130	86932	1087	128	124	16 x M14	230	11.5
170 x 225	134	146	162	112270	1321	113	110	14 x M16	355	17
180 x 235	134	146	162	135960	1510	124	120	16 x M16	355	18.5
190 x 250	134	146	162	143170	1510	116	113	16 x M16	355	21.5
200 x 260	134	146	162	150895	1510	112	109	16 x M16	355	22
220 x 285	134	146	162	207545	1888	127	123	20 x M16	355	25
240 x 305	134	146	162	249260	2078	131	127	22 x M16	355	27
260 x 325	134	146	162	269860	2078	123	119	22 x M16	355	30
280 x 355	165	177	197	412000	2948	130	126	20 x M20	690	46
300 x 375	165	177	197	486160	3242	135	131	22 x M20	690	50
320 x 405	165	177	197	518605	3242	125	121	22 x M20	690	60
340 x 425	165	177	197	601005	3537	130	126	24 x M20	690	65
360 x 455	190	202	224	726150	4036	120	116	22 x M22	930	89
380 x 475	190	202	224	906400	4770	136	132	26 x M22	930	93
400 x 495	190	202	224	953780	4770	131	127	26 x M22	930	98

Dimensions/Design subject to modifications without any prior intimation.