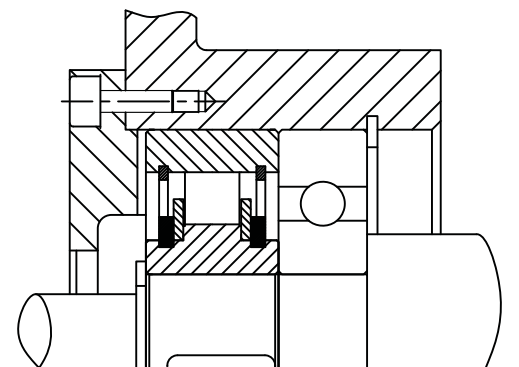
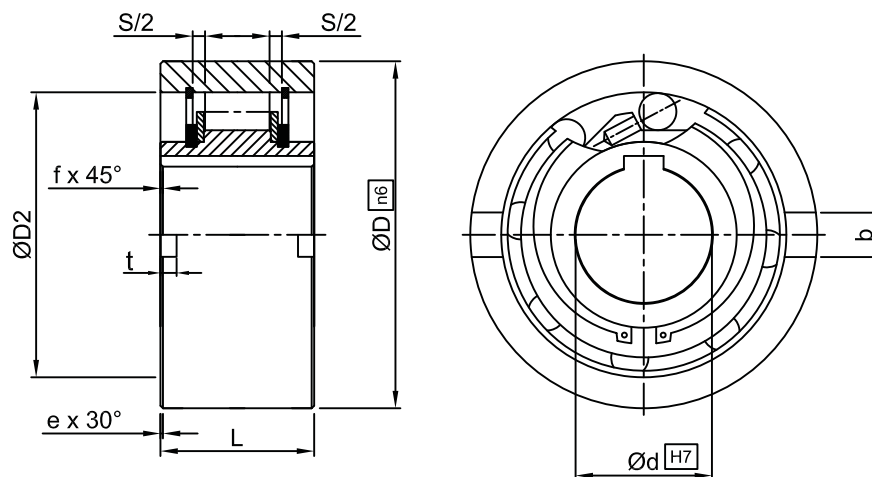
**NLD**

◆ Features :

- Trapped rollers Freewheels NLD model is non-bearing supported, So bearings are required to support axial & radial loads.
- Lubrication & Sealing must be provided for Installation.
- Outer race has positive n6 Tolerance to give a press fit in H7 Housing. Additional notches are provided in outer race for positive Torque Transmission.
- If Housing is to K6 Tolerance, use of notches is not necessary, but Outer Housing must be strong enough to not expand after assembly.
- This Design can accept an axial misalignment of inner & outer race of $\pm S/2$.
- Bore range : up to 200 mm
- Transmitting torque : 44500 Nm

◆ Mounting Example:





NLD

d (H7)	Max. Torque	Max. Overrunning Inner Outer RPM	D (n6)	D2	L	S	e	b	t	f	Weight
mm	Nm		mm	mm	mm	mm	mm	mm	mm	mm	kg
8	12	3300 5000	35	28	13	2.4	0.6	4	1.4	0.3	0.07
12	12	3300 5000	35	28	13	2.4	0.6	4	1.4	0.3	0.06
15	30	2400 3600	42	37	18	2.4	0.8	5	1.8	0.3	0.11
17	49	2300 3400	47	40	19	2.4	1.2	5	2.3	0.8	0.15
20	78	2100 3100	52	42	21	2.4	1.2	6	2.3	0.8	0.19
25	125	1700 2600	62	51	24	2.4	1.2	8	2.8	0.8	0.38
30	255	1400 2200	72	60	27	2.4	1.8	10	2.5	1	0.54
35	383	1200 1900	80	70	31	2.4	1.8	12	3.5	1	0.74
40	538	1100 1700	90	78	33	2.5	1.8	12	4.1	1	0.92
45	780	1000 1600	100	85	36	2.5	1.8	14	4.6	1	1.31
50	1013	850 1350	110	92	40	2.5	1.8	14	5.6	1	1.74
60	1825	750 1050	130	110	46	3.6	2.6	18	5.5	1.5	2.77
70	2300	600 950	150	125	51	3.6	2.6	20	6.9	1.5	4.16
80	3275	550 850	170	140	58	3.6	2.6	20	7.5	1.5	6.09
90	5325	500 750	190	160	64	3.6	2.6	20	8	2	8.2
100	7250	450 680	215	175	73	3.6	2.6	24	8.5	2	12.6
120	13500	370 550	260	215	86	3.6	2.6	28	10	2.5	22
150	26625	300 460	320	260	108	3.6	3.6	32	12	2.5	42
200	44500	230 350	420	350	138	7.6	3.6	45	16	3	93

Notes :

- 1) Function : Overrunning ing
- 2) $T_{max} = 2 \times T_n$.
- 3) The maximum Overrunning speeds are for Oil lubrication only.
- 4) Shaft dia. is to be controlled within h6/j6.

- 5) NLD 8 to NLD 12, NLD 200 keyway to DIN 6885 - 1

Other sizes as per DIN 6885 - 3.

- 6) Other sizes on request.
- 7) All dimensions are in m.m.
- 8) We manufacturing in inch series also.

Ordering Example :

- When ordering please specify bore dia.
- **NLD 50 - 50**