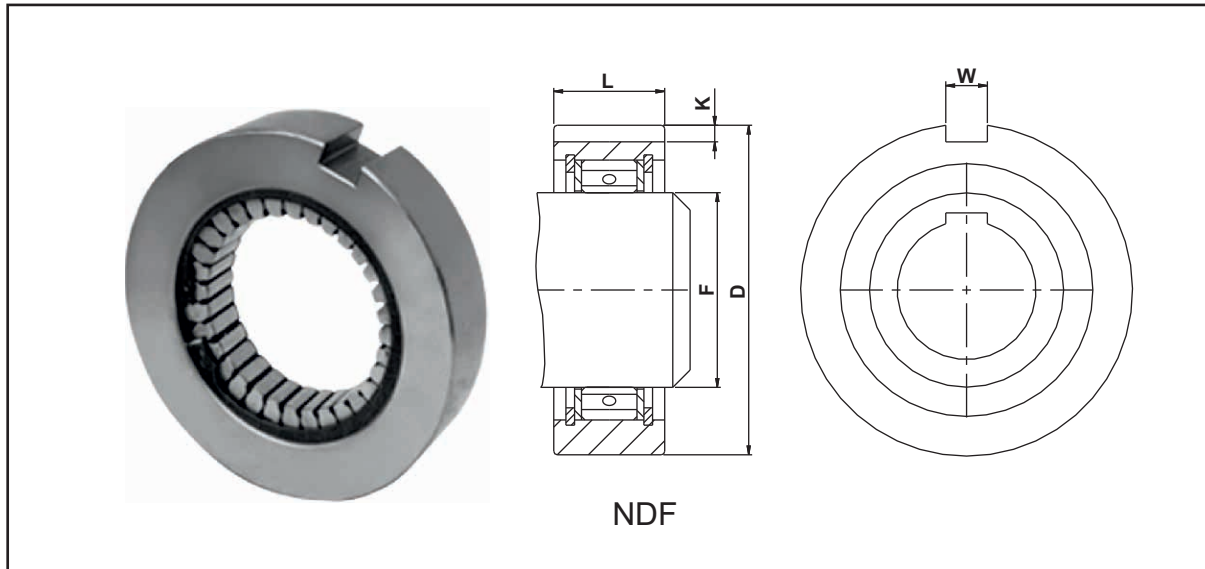


FREEWHEEL - ONEWAY - CLUTCH

NDF



- Oil / Grease filled, ready to fit.
 - Transmit torque (power) in one direction, opposite free.
- Functions:
- Feeding.
 - Indexing
 - Back stopping.
 - Overrunning.

CODE NO. NDF	F	D	L	K	W	TORQUE
30	31.75	67.13	28.2	3.18	6.35	105
35	34.92	73.02	32	4.44	9.52	190
38	38.1	84.1	32	4.44	9.52	314
45	44.45	88.9	40	4.44	9.52	320
50	50.8	88.9	39.5	4.44	9.52	600
45A	44.45	93.24	32	4.44	9.52	425
50A	50.8	101.6	48.1	6.35	12.7	540
50B	50.8	112.55	35.2	6.35	12.7	600
57	57.15	111.15	48	6.35	12.7	775
63	63.5	111.15	44.7	6.35	12.7	830
57A	57.15	122.45	35.2	6.35	12.7	740
70	69.85	124.74	46.25	6.35	12.7	965
76	76.2	132.1	46.25	6.35	12.7	1090
82	82.55	146.71	51	6.35	12.7	1675
90	88.9	166.67	51	7.93	15.87	2261
95	95.25	172.24	60.6	7.93	15.87	3086
100	101.6	181.89	60.6	7.93	15.87	3415

All Dimensions are in mm
 Other sizes on request.
 Dimensions/Design subject to modifications.

Shaft must be hardened & ground
 Shaft dia is to be controlled within h6/j6